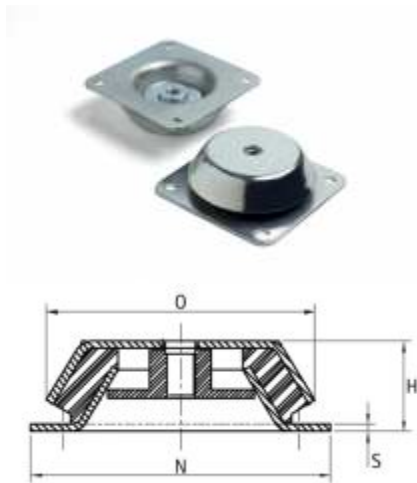




A2 Mountings With Other Shapes - SERIES SCQT

Tear Resistant Square Bell Support



Version	With vulcanized threaded shock-absorber
Main Part Material	NBR Rubber Compound
Hardness Tolerance	+/- 5 SH
On request	45 Shore A Hardness
Metallic Part Material & Finishing	Zinc Plated Steel Sheet

Code	H	Thread	N	O	S	Hardness Shore A	Maximum Load daN	Packing Pcs.
A2SCQT150	51,5	M16	168	150	4	55	500	1
A2SCQT177	63	M20	200	177	6	55	850	1